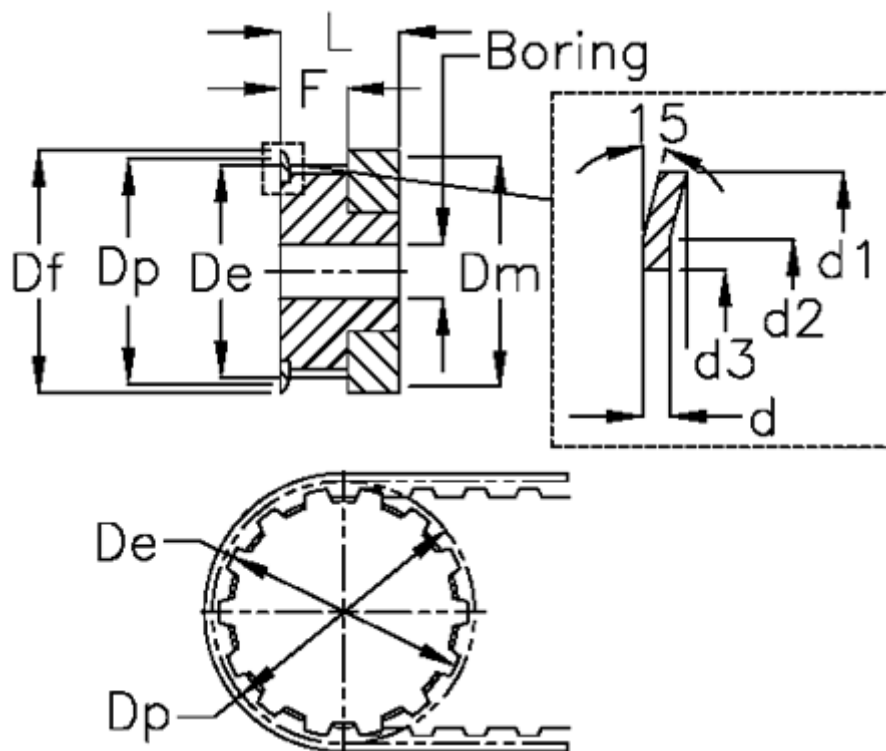


Article number: 60415016012

Description: Timing Belt Pulley 16 T 2,5 12/2

Measures



Belt width = - 6 mm	Dp	= 9.6
d = 0.5	F	= 9
d1 = 13	Flange type	= F01
d2 = 10	L	= 16
d3 = 6	Pre-drilled	= 4
De = 9	Tooth number	= 12
Df = 13	Type	= T2,5
Dm = 6	Weight	= 0.004